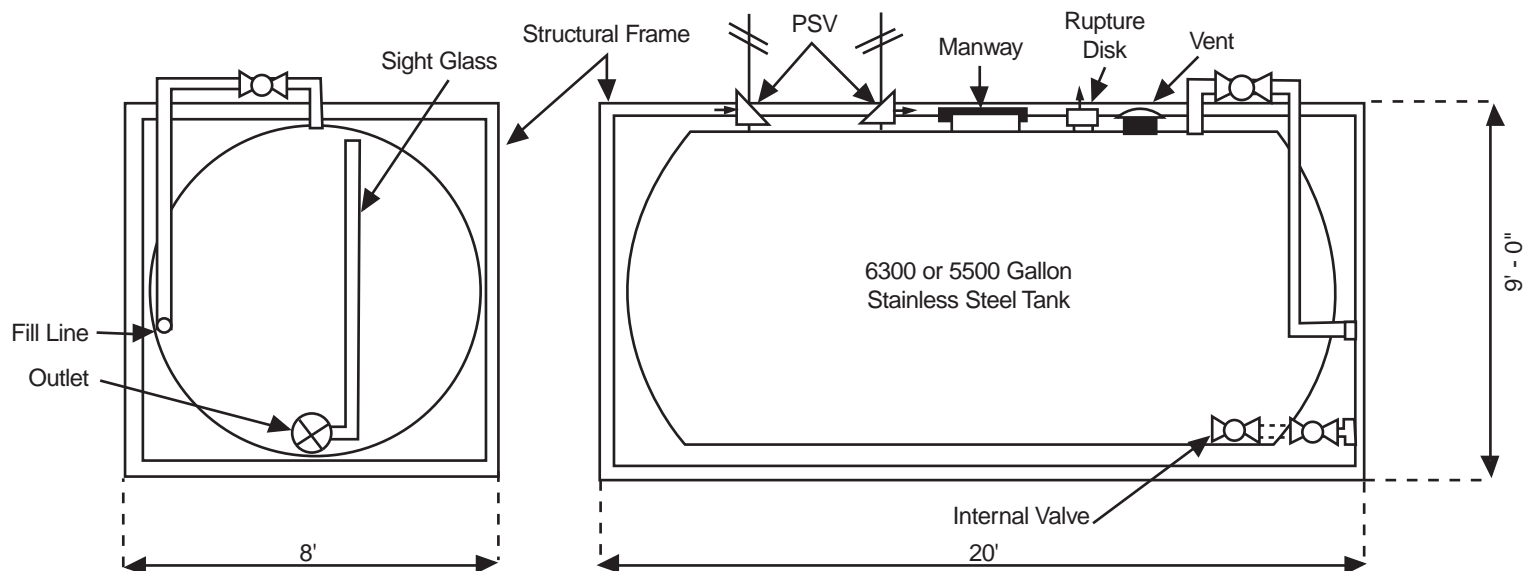


# Quick Response H<sub>2</sub>O<sub>2</sub> Tank



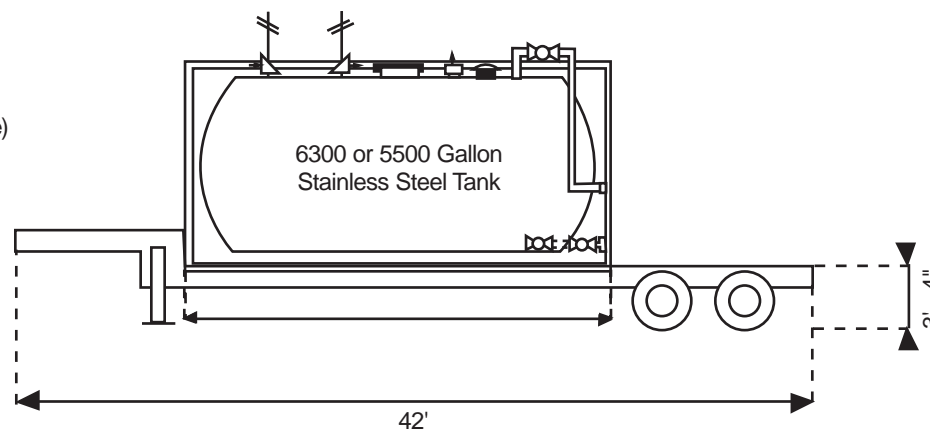
**Notes:**

Outlet is 2" quick disconnect male hose fitting (Cam & Groove)

1" threaded adapter included

Acceptable for 50% H<sub>2</sub>O<sub>2</sub> or lesss

Weights: Empty tank	7300 lbs.
Chassis	8800 lbs.
Combined empty	16100 lbs.



To our actual knowledge, the information contained herein is accurate as of the date of this document. However, neither Solvay Chemicals, Inc. nor any of its affiliates makes any warranty, express or implied, or accepts any liability in connection with this information or its use. This information is for use by technically skilled persons at their own discretion and risk and does not relate to the use of this product in combination with any other substance or any other process. This is not a license under any patent or other proprietary right. The user alone must finally determine suitability of any information or material for any contemplated use, the manner of use and whether any patents are infringed. This information gives typical properties only and is not to be used for specification purposes.

H2O2 Tank DWG #T-2 Revised 1-14-04  
 Copyright 2004, Solvay Chemicals, Inc. All Rights Reserved.  
[www.solvaychemicals.us](http://www.solvaychemicals.us) 1.800.765.8292

